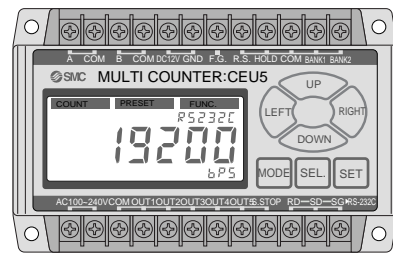
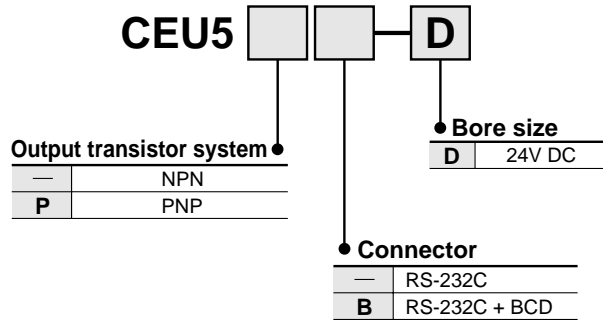


Series *CEU* Counter

Multi Counter

How to Order



Note :

CEU5**-D (24-VDC power voltage type) becomes compliant with CE marking when connected to a MONOSASHIKUN (CE1 series) or High-Precision MONOSASHIKUN (CEP1 series). For details, see the operating manual of multi counter.



For safety precautions, precautions for products, product specifications, external dimensions, and model selection procedures, see the comprehensive catalog (Best Pneumatics) or the catalog for each individual product.